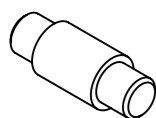
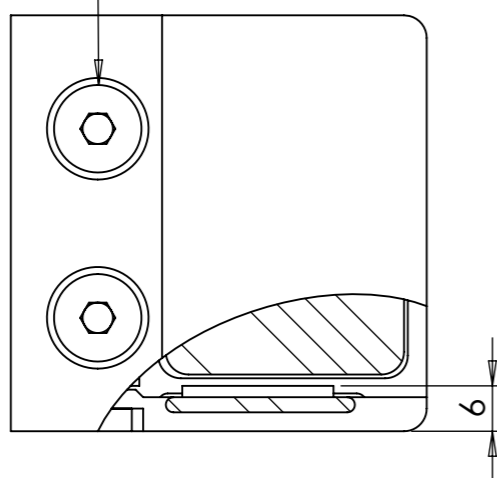


M6 x 16 SOCKET COUNTERSUNK



PINS NOT INCLUDED

METAL SECURITY PIN - 189900401 REQUIRED FOR 8MM - 10MM GLASS
 METAL SECURITY PIN - 189900402 REQUIRED FOR 12MM GLASS

P - PINS REQUIRE A MINIMUM Ø10MM HOLE IN GLASS
 T - GLASS THICKNESS

PART CODE	MATERIAL	GLASS (T)	FINISH
1802402F	Zamac	8 - 10	Satin Polished
1804402F	AISI 304	8 - 10	Satin Polished
1806402F	AISI 316	8 - 10	Satin Polished
1806402FM	AISI 316	8 - 10	Mirror Finished

DESCRIPTION: Glass Clamps Flat Back

NAME	DATE	REVISION	UNLESS OTHERWISE SPECIFIED ALL DIMENSIONS ARE IN MILLIMETERS	A3
DRAWN	GC	21/05/2018		
CHECKED			DO NOT SCALE DRAWING	SCALE:1:1