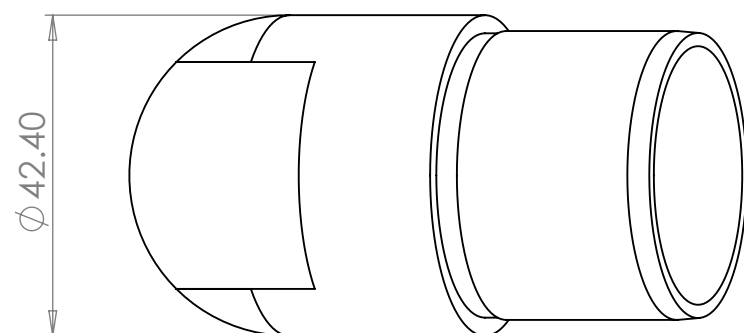


0-70 DEGREE ROTATION



PART CODE	MATERIAL	FINISH
1804227C	AISI 304	Satin Polished
1806227C	AISI 316	Satin Polished
1806227CM	AISI 316	Mirror Finish

DESCRIPTION: Adjustable Elbow - Smooth To Touch 42.4mm Fix - for 0 to 70 degrees				
	NAME	DATE	REVISION	UNLESS OTHERWISE SPECIFIED ALL DIMENSIONS ARE IN MILLIMETERS
DRAWN	TS	30/07/2021	B	
CHECKED				SCALE:1:1