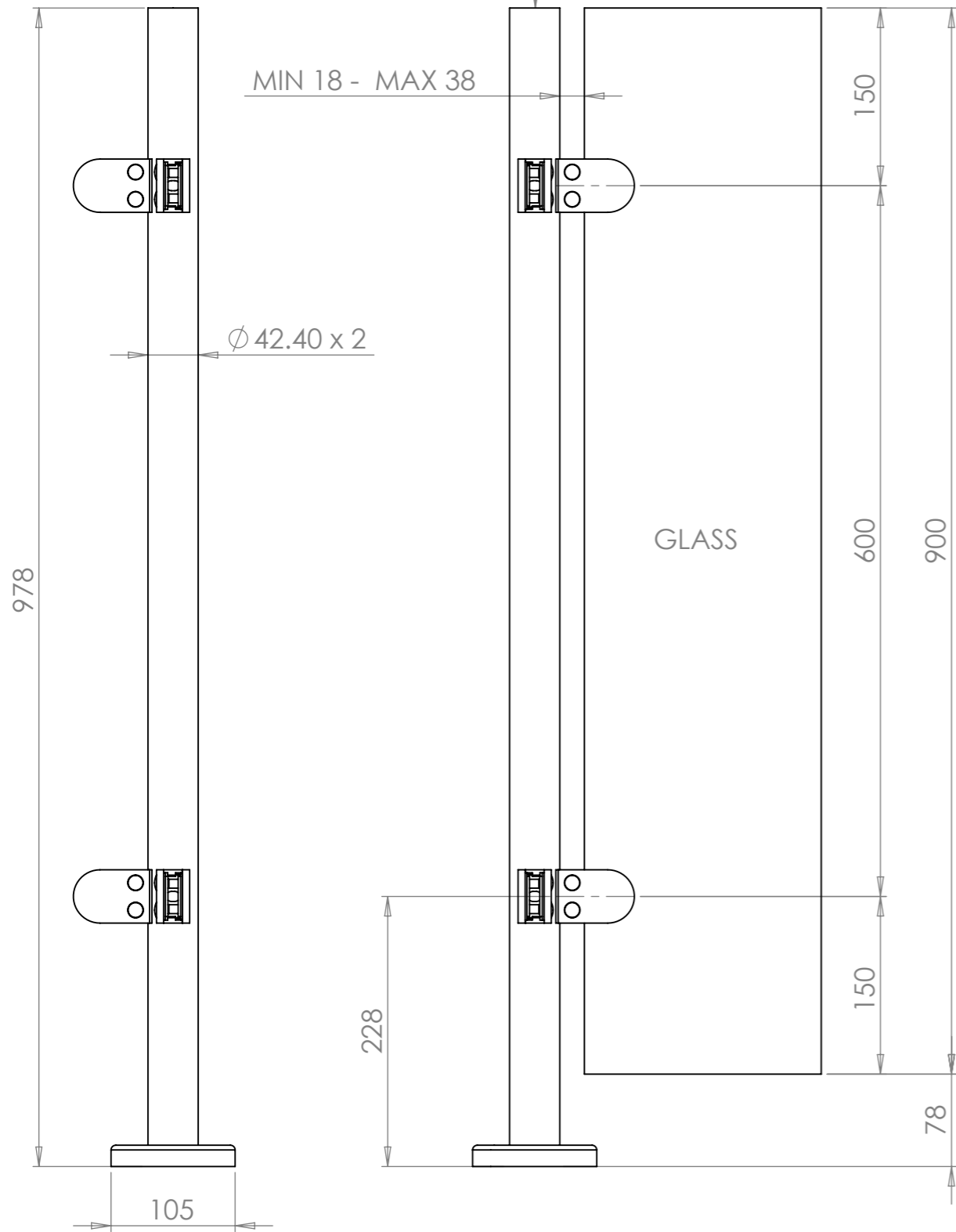
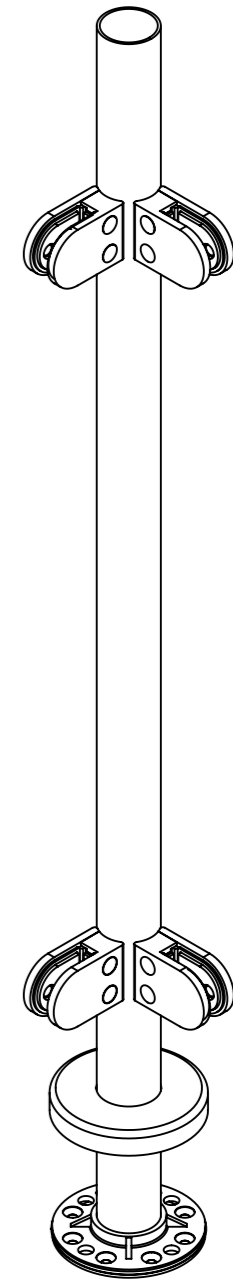
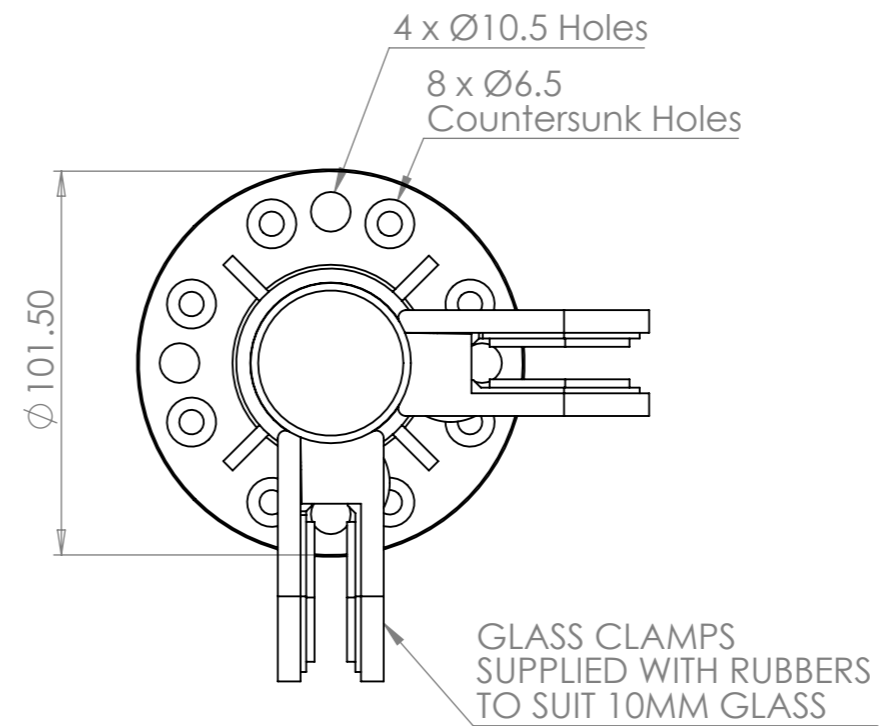


CAP / RAILING SADDLE NOT INCLUDED



Base Plate Detail
Scale 1:2



Part Code	Material	Finish	Grit Size
1804793C	304 Stainless	Satin Polished	320
1806793C	316 Stainless	Satin Polished	320
1806793CM	316 Stainless	Mirror Finish	800

DESCRIPTION: 42.4mm Corner Post Fully Assembled - 978mm Long - Plain Top				
	NAME	DATE	REVISION	UNLESS OTHERWISE SPECIFIED ALL DIMENSIONS ARE IN MILLIMETERS
DRAWN	GC	12/11/2019	0	
CHECKED				
DO NOT SCALE DRAWING			SCALE:1:5	A3